

MultiLog SRD-99

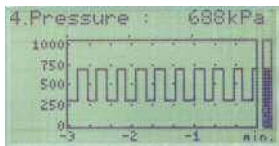
- data recorder
- up to 8 inputs 0/4 - 20 mA or Pt100/Pt500/Pt1000
- 2 electronic relay outputs (optoMOS)
- USB Host port for flash data storage and configuration transfer
- RS-485 / Modbus RTU
- display measured values in °C or °F
- free configuration and recording software



MultiLog

DATA PRESENTATION

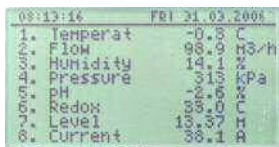
Individual alphanumeric description (text) of each of the recorded channels is possible. The multi-language menu assisted with full text descriptions makes the unit configuration process quite easy.



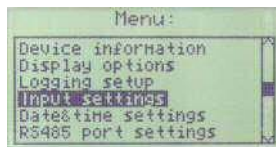
The history of the process in time



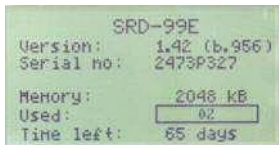
The current value of the measurement signal
Height of the digits: 18 mm



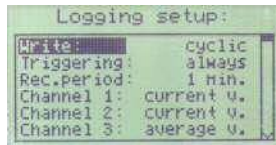
8-channel view displayed at the same time



Main menu of the unit



Device information



Logging parameters

MEMORY

Internal memory has 2 MB capacity (0.5 million data recordings altogether) or 8 MB in version with USB port (2 millions data recordings). However when a USB flash drive is plugged permanently, it can significantly extend the recording time without a need of data transferring from **SRD-99** to a PC. For example: 1GB flash drive allows continuous data recording for over 1 year (8 channels recorded every 1 sec., approx 250 millions data recordings)!

ORDERING

SRD-99-XX28-1-X-XX1

number of inputs:

- 1
- 4
- 8

options:

- 00 : no options
- 01 : IP 65 frame (version without USB)
- 0B : USB Host port provided with a protective cap

type of inputs:

- 1 : current 0/4-20 mA
- 3 : RTD (Pt100, Pt500, Pt1000)

power supply:

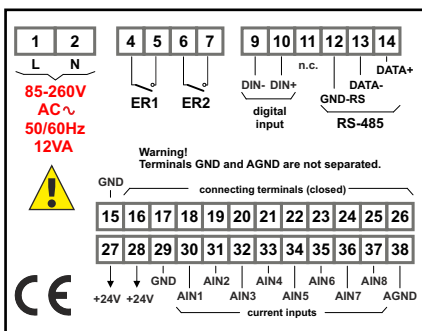
- 3 : 24V AC/DC
- 4 : 85V - 260V AC/DC

CONTENT OF PACKAGE

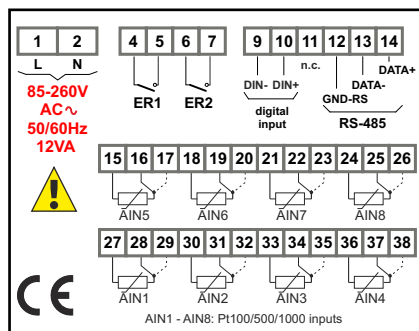
- data recorder **SRD-99**,
- assembly brackets - 2 pieces,
- CD-ROM including installation software (**Loggy Soft** and **S-Toolkit**) and manuals.



EXAMPLARY PIN ASSIGNMENT

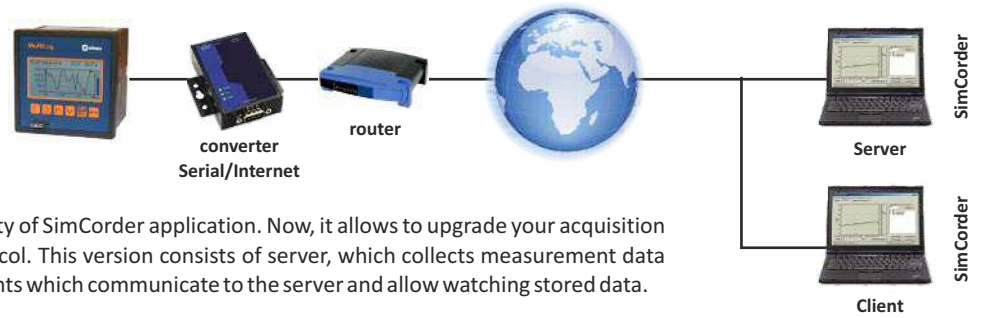


version with current inputs



version with Pt inputs

We have extended our offer by ethernet applications and just there is no need to place PC with RS-485/USB converter near the installation. Now it can be installed on any location where internet is available.

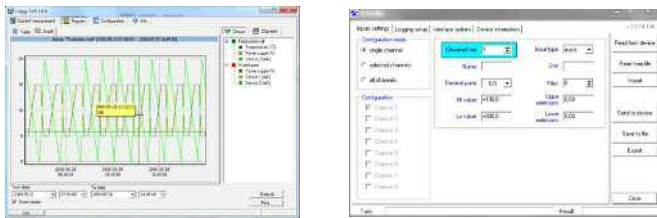


Additionally, we have expanded network functionality of SimCorder application. Now, it allows to upgrade your acquisition system of network functions based on TCP/IP protocol. This version consists of server, which collects measurement data from network and records them to database and clients which communicate to the server and allow watching stored data.

SOFTWARE

The **Loggy Soft** enables the visualization, archiving and printing of measurements (e.g. temperature, humidity, pressure) stored in MultiLog device memory.

The **S-Toolkit** enables configuration reading and writing operations, updating the device firmware and obtaining basic information on MultiLog series devices through RS-485 serial interface or flash-disk devices plugged into USB port.



ACCESSORIES



USB flash drive

An incredibly small, light and stylish flash drive offering 2, 4 or 8 GB data storage (31,3 x 12,4 mm / 6 g) has been designed with easy storage and transport in mind.



STD-99

A transparent door with IP54 rate and a key. The door and its frame are manufactured using the injection moulding technology which ensures that they fit perfectly. The material has been selected to eliminate corrosion and ensure maximum durability.

TECHNICAL DATA

Power supply	19 ÷ 50V DC, 16 ÷ 35V AC or 85 ÷ 260V AC/DC, all separated; 7 VA typ., 12 VA max.
Display	graphic LCD, 128 x 64 points, with backlight
Measuring inputs	1, 4 or 8; Pt100; Pt500; Pt1000 (2 and 3-conductor connection) or 0/4-20 mA inputs; common ground
Digital input	1 input 24V DC, optocoupled
Measuring range	± 9999 + decimal point (current inputs) -100,0°C ÷ +600,0°C with resolution 0,1°C (RTD inputs) -148°F ÷ +999,9°F with resolution 0,1°F (RTD inputs)
Outputs	2 electronic relays (ER1, ER2), max. load 24V AC (35V DC) / 200 mA
Sensor supply output	24 V DC ± 5%, max. 200 mA (only current version), not separated from measuring inputs
Communication	RS-485 (Modbus RTU) or USB Host port, galvanically isolated, transmission speed: 1200 - 115200 bit/sec.
Memory capacity	2 MB (0.5 million data recordings) in version without USB, 8 MB (above 2 millions data recordings) in version with USB Host port
Data recording period	1 s / 2 s / 5 s / 10 s / 15 s / 20 s / 30 s / 1 min / 2 min / 5 min / 10 min / 15 min / 20 min / 30 min / 60 min
Environmental	operating temp.: 0°C ÷ +50°C; storage temp.: -10°C ÷ +70°C
IP rate protection	version without USB: IP 65 (front), available options: additional frame IP 65 for panel cut-out sealing, door STD-99 (see: accessories) version with USB: a) IP 40, b) IP 54 (when fitted with STD-99 transparent door, see: accessories)
Case	board; material: NORYL - GFN2S E1
Dimensions	96 x 96 x 100 mm (WxHxD); panel cut-out: 90,5 x 90,5 mm
Installation depth	min. 102 mm

Portable case P130
(front USB Host, no alarm connectors)



Wall mounted version SRD-N16
(see SRD-N16 data sheet for more details)



Converters:

SRS-U/4-Z45
converter USB/RS-485



SRS-2/4-Z45
converter RS-232/RS-485

