



SLE-42

- up-down totalizer
- small panel size DIN 48 x 24 mm
- self-powered (lithium battery)
- input: dry contact / OC / voltage
- remote reset or by front button
- 7 years battery lifetime

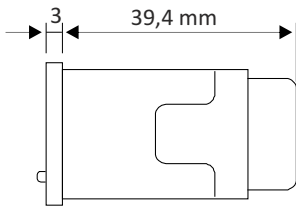
The **SLE-42** series is a self-powered LCD totalizers in a small form. With a panel size of DIN 48 x 24 mm, it is perfect for limited space installations. It is powered by a replaceable lithium battery that lasts approximately 7 years, no external power required. The **SLE-42** series is available in 7 digits with 8 mm height figures with front reset or remote reset options. Input signal includes dry contact, open collector, voltage, wide range voltage at maximum count speed up to 30 Hz. The front panel protection is IP 54 and wiring connection is easily done via the terminal block connector, making it secure and reliable.

TECHNICAL DATA

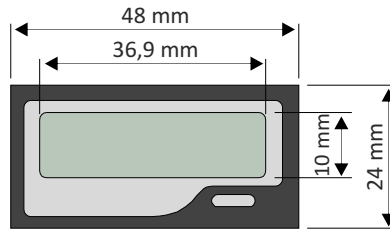
Power supply	3.6V 1/2AA lithium battery (inside), 7 years (replaceable)
Display	7-segment LCD, 7 digits, 8 mm high
Inputs	counting, pulse: <u>dry contact / Open Collector / voltage (NPN transistor)</u> : max. sink current: 8 μ A, input levels: low 0,8 V; high 2 V - 30 V, max. count speed 30 Hz <u>wide-range voltage</u> : input levels: low 0 - 10V AC/DC, high 20 - 250V AC/DC, max. count speed 20 Hz; input impedance: 300 k Ω
Reset	front or remote reset: dry contact / Open Collector / voltage (NPN transistor), min. pulse width 6 ms, max. sink current: 8 μ A
Displayed values range	0 - 9999999
Operating temperature	-10°C ÷ +55°C
Storage temperature	-20°C ÷ +65°C
Humidity	permissible 25 ÷ 85% RH (non-condensing)
Protection class	IP 54 (panel surface)
Wiring	M3 terminal screw
Case	panel mounting
Dimensions	<u>case (WxHxD)</u> : 48 x 24 x 42,4 mm <u>panel cut-out dimensions</u> : 45 x 22,2 mm
Weight	50 g (battery included)



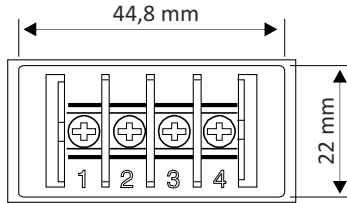
DIMENSIONS



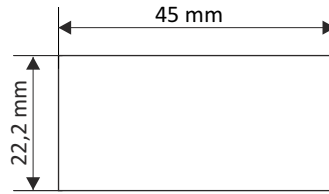
Side view



Case dimensions

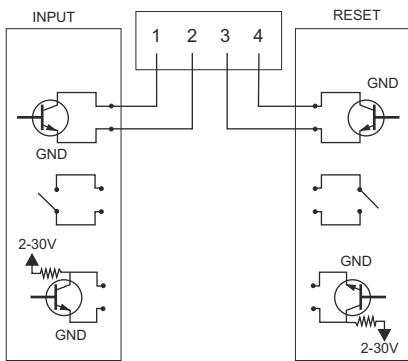


Rear view

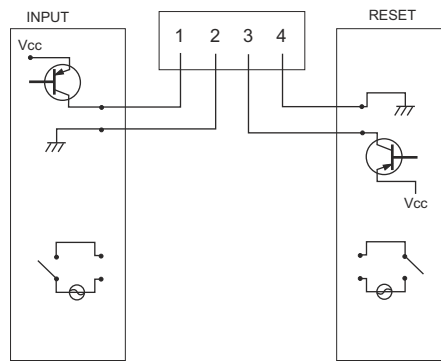


Panel cut-out dimensions

EXAMPLARY PIN ASSIGNMENT



Version with contact input / OC



Version with voltage input

ORDERING

SLE-42-1X00-0-0-001

input:

4 : dry contact/OC/NPN

E : wide range voltage

