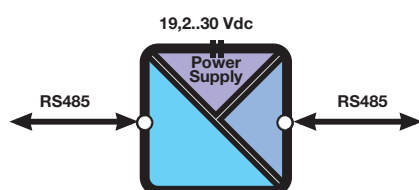




# K107A

## RS485 ↔ RS485 SERIAL ISOLATOR/AMPLIFIER



K107A is an amplifier for RS485 serial line. It's used in order to extend both the length or the number of devices admitted (max 32) on RS485 serial line. Useful also when a star connection needed that usual is not possible with RS485 line.

### TECHNICAL SPECIFICATIONS

#### General Data

Power supply	19,2..30 Vdc
Side Power	Yes
Hot swapping	yes
Max current consumption	22 mA (24 Vdc)
Max power consumption	500 mW
Rejection	50 – 60 Hz (configurable)
Settings	DIP switches
Filter	Insertable
Dimensions (w x h x d)	6,2 x 93,1 x 102,5 mm
Isolation	1,5 kVac (3-way)
Isolation technique	Digital (optocoupler)
Data processing	32 bit floating point
Colour	Black
Enclosure	PBT
Weight	45 g
Operating temperature	-20..+65 °C
Connections	Clamp terminals / bus
Protection degree	IP20
Channels	1 input, 1 output
Status indicators	Power ON Data Inverted connection
Communication	Automatic handshake Baud rate: 1.200..115.200 bps
Approvals	CE, UL-UR CSA
Norms	EN 61010-1, EN 60742, EN 61000-2, EN 61000-4

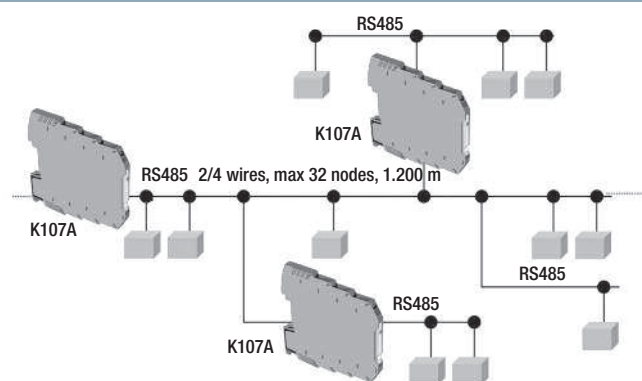
#### DATA X SIDE

Type	SERIAL RS485 Half duplex, 31 nodes, line termination, protection up to 30 Vdc
------	--

#### DATA Y SIDE

Type	SERIAL RS485 half duplex, 31 nodes, terminal, protection up to 30 Vdc
------	--

### APPLICATION NOTE



### ORDER CODES




Code	Description
K107A	RS485 ↔ RS485 serial isolator/amplifier

### ACCESSORIES & SOFTWARE



**K-BUS**  
Backplane for power connection

### SIMILAR PRODUCTS

		
<b>S107USB</b> RS485 ↔ USB serial converter (desk)	<b>K107USB</b> RS485 ↔ USB serial converter	<b>K107B</b> RS232 ↔ RS485 serial isolator/amplifier