

Electric Horns for Vessels and Heavy Industrial Applications

SEWN30 / SEWN50 Series



Electric horns for vessels and heavy industrial applications featuring excellent sealing, corrosion resistance, and durability

PRODUCT SPECIFICATION

SEWN30 | SEWN50

Materials Housing-Al,
Horn housing-PC(SEWN30)/SUS316L(SEWN50)
Ambient operating temperature -30°C to +50°C
Protection rating IP56, Suitable for outdoor installation
Standard Housing color MUNSELL No. 7.5BG 7/2
Cable entry 1/2" PF

- Electric horn with tightly sealed structure has excellent durability. Suitable for vessels, steel industry, and outdoor plant applications
- Can select between a variety of mounting options (wall mount type, self stand type, and terminal box type)
- Aluminum housing provides excellent durability
- A variety of sound selection between warning sounds, alarm sounds, melodies and voice messages to fit your sophisticated application needs
- Can adjust sound volume with the dial built inside the unit
- Terminals located inside the terminal box or product



SEWN30E
(Max.114dB)



SEWN30L
(Max.114dB)



SEWN30T
(Max.114dB)

SEWN30 Series Electric Horns, Max.118dB

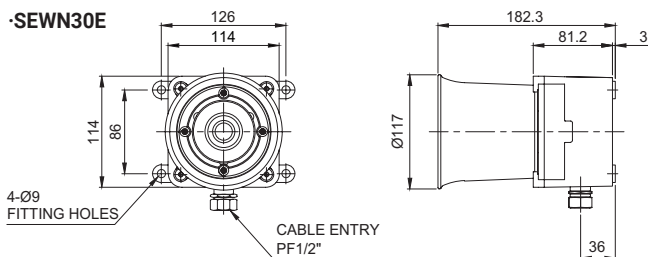
Model number	Voltage	Current	Sound Pattern and Volume	Certificates	Weight
SEWN30E Wall mount	DC12V	2.211A	·WS-5 Warning sounds: Max.114dB		SEWN30E DC-1.76kg AC-2.11kg
SEWN30L Self stand	DC24V	1.022A	·WP-5 Special warning sounds: Max.114dB		SEWN30L AC-1.74kg AC-2.13kg
SEWN30T Wall mount with terminal box	AC110V AC220V	0.226A 0.113A	·WM-5 Melodies: Max.110dB ·WA-5 Alarms: Max.114dB ·WV-5 Customizable voices: 108-113dB		SEWN30T DC-2.23kg AC-2.58kg

- ※ Please refer to [Sound tone and combination for standard product] on this catalogue for detailed sound tone specification
- ※ CE compliant : AC220V, DC24V
- ※ CCS compliant : SEWN30E only
- ※ Max. built-in volume feature is based on WS, WP-Ch1 / WM-Ch4 / WA-Ch4.
- ※ In case of customized WV 5 tone type, there may be difference of volume depending on user's audio file type.

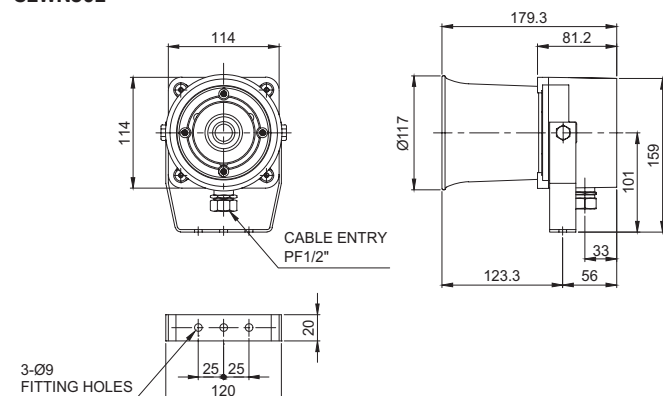
Technical Diagram

Units: mm

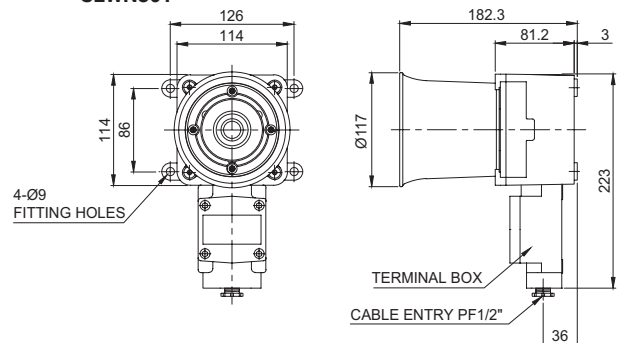
·SEWN30E



·SEWN30L



·SEWN30T



SEWN30 / SEWN50 Series

SEWN50 Series Electric Horns, Max.120dB



SEWN50E
(Max.120dB)



SEWN50L
(Max.120dB)



SEWN50T
(Max.120dB)

Model number	Voltage	Current	Sound Pattern and Volume	Certificates	Weight
SEWN50E Wall mount	DC12V	2.440A	·WS-5 Warning sounds: Max.120dB ·WP-5 Special warning sounds: Max.120dB ·WM-5 Melodies: Max.115dB ·WA-5 Alarms: Max.118dB ·WV-5 Customizable voices: 109-117dB		SEWN50E DC-4.22kg AC-4.52kg
SEWN50L Self stand	DC24V	1.186A			SEWN50L AC-4.20kg AC-4.50kg
SEWN50T Wall mount	AC110V	0.244A			SEWN50T DC-4.65kg
SEWN50T with terminal box	AC220V	0.122A			SEWN50T AC-4.95kg

※ Please refer to [Sound tone and combination for standard product] on this catalogue for detailed sound tone specification

※ CE compliant : DC24V

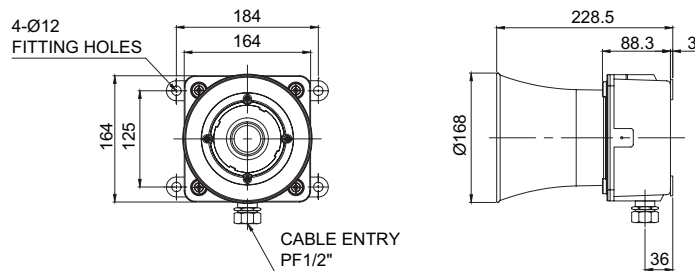
※ Max. built-in volume feature is based on WS, WP-Ch23 / WM-Ch5 / WA-Ch5.

※ In case of customized WV 5 tone type, there may be difference of volume depending on user's audio file type.

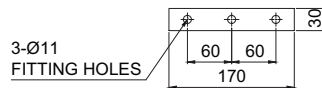
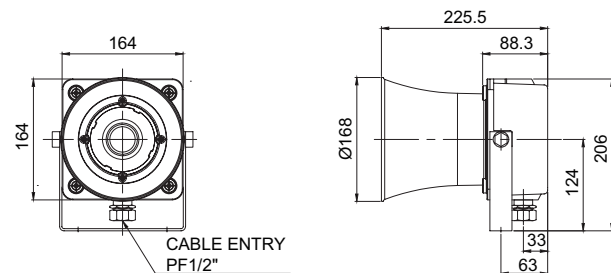
Technical Diagram

Units: mm

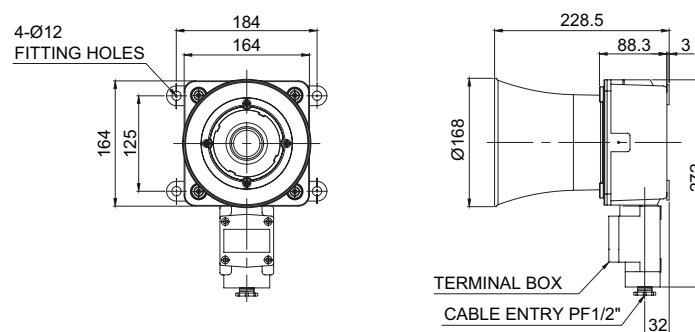
·SEWN50E



·SEWN50L



·SEWN50T



SEWN50E/ SEWN50L model uses flexible connector at cable entry and SEWN50T model uses 15C nipple at cable entry.

Cable gland is customizable



Flexible connector



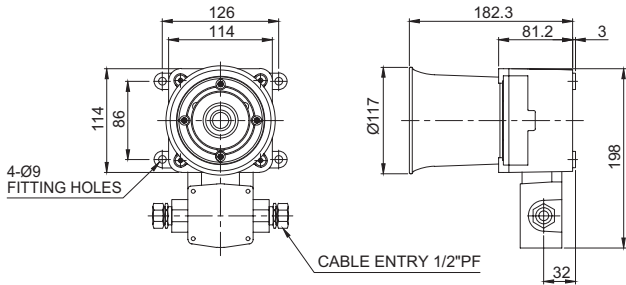
15C nipple



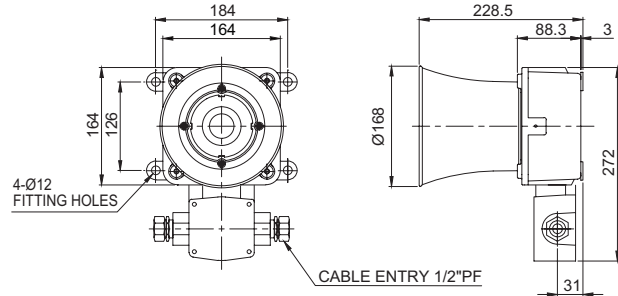
2 Cable Entry Terminal Box Type Technical Diagram

Units: mm

·SEWN30-2T

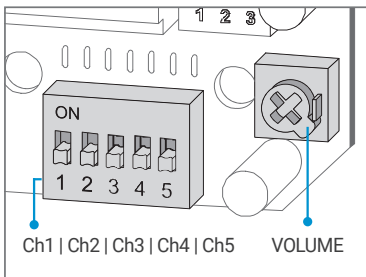


·SEWN50-2T



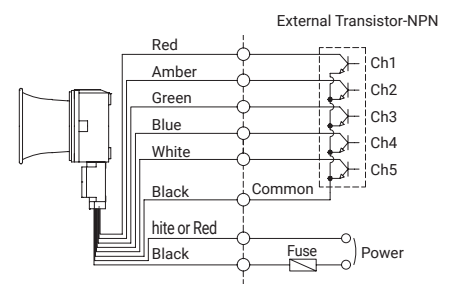
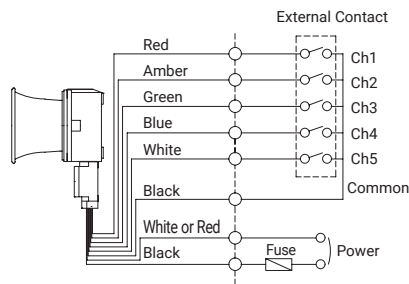
Sound Selection Instructions and Wiring

· Standard Type: Select sound using the switch inside of the unit. When you turn on the dip switch for each channel, the designated sound will be played.



·SEWN30E / SEWN30L / SEWN30T-DC/AC

·SEWN50E / SEWN50L / SEWN50T-DC/AC



· Customized type : Select sound using the external contact(LC)

You can select the audible sound pattern using external contacts or transistor with a customized external sound line(Model number : -LC

· This product can be wired regardless of polarity.

Customization



Brass housing product



2 Cable Entry Terminal Box Type

· Cable gland available

· 3/4\"/>

· 2 cable entries terminal box: Customized terminal box available with two cable entries in opposite directions(Model number : SEWN30-2T, SEWN50-2T)

· External threading of sound line (Model number : -LC)

· Brass housing product: Brass housing products provide improved corrosion resistance.

※ Color will be MUNSELL No. 7.5BG 7/2 when Released.

· Horn housing Materials: STS316L

Ordering Specification

SEWN30T	-	WS	-	220	-	LC
[Model number]		[Sound]		[Voltage]		[sound selection]
SEWN30E SEWN30L SEWN30T SEWN50E SEWN50L SEWN50T		WS-Warning sounds WP-Special warning sounds WM-Melodies WA-Alarms WV-Customizable voices		12-DC12V 24-DC24V 110-AC110V 220-AC220V		(blank)-Built-in switch LC-External contac