

# QCML/ QCMLC

Waterproof LED Light Bars for  
Multi-use with Protection of IP67/ IP69K



**High seal and high waterproof light bars that can be used in high temperature wash down applications**

**Can select from a variety of light colors from cooldaylight, incandescent, amber and red color lights to fit your application needs**



## Common Specifications(QCML/ QCMLC)

- Side cover and lens is integrated together with a multi silicon rubber sealing structure for superior protection from water
- Aesthetically pleasing with slim and compact housing
- Polycarbonate material provides superior heat and shock resistance
- Features great seal and durability in food processing, pharmaceutical, and beverage processing machine that needs high temperature wash down
- Can select from light colors of Cooldaylight, warm white, amber and red color lights depending on your application needs such as semiconductor manufacturing equipment, machine tools and test equipment
- Can select between transparent lens type and translucent lens type depending on your application needs
- Detachable mounting bracket structure enables to adjust mounting hole space freely
- Protection rating : IP67, IP69K
- Can customize the product with the M12 connector if requested
- Certificates : CE Compliant, UL Listed



## QCML Series Specifications

Lens Type	Length	Cooldaylight	Incandescent	Red	Amber
Translucent Lens					
	200mm	QCML-200-W	QCML-200-PY	QCML-200-R	QCML-200-A
	300mm	QCML-300-W	QCML-300-PY	QCML-300-R	QCML-300-A
	400mm	QCML-400-W	QCML-400-PY	QCML-400-R	QCML-400-A
	500mm	QCML-500-W	QCML-500-PY	QCML-500-R	QCML-500-A
	600mm	QCML-600-W	QCML-600-PY	QCML-600-R	QCML-600-A
	900mm	QCML-900-W	QCML-900-PY	QCML-900-R	QCML-900-A
Transparent Lens	1,200mm	QCML-1200-W	QCML-1200-PY	QCML-1200-R	QCML-1200-A
	1,500mm	QCML-1500-W	QCML-1500-PY	QCML-1500-R	QCML-1500-A
	200mm	QCMLC-200-W	QCMLC-200-PY	QCMLC-200-R	QCMLC-200-A
	300mm	QCMLC-300-W	QCMLC-300-PY	QCMLC-300-R	QCMLC-300-A
	400mm	QCMLC-400-W	QCMLC-400-PY	QCMLC-400-R	QCMLC-400-A
	500mm	QCMLC-500-W	QCMLC-500-PY	QCMLC-500-R	QCMLC-500-A
600mm	QCMLC-600-W	QCMLC-600-PY	QCMLC-600-R	QCMLC-600-A	
900mm	QCMLC-900-W	QCMLC-900-PY	QCMLC-900-R	QCMLC-900-A	
1,200mm	QCMLC-1200-W	QCMLC-1200-PY	QCMLC-1200-R	QCMLC-1200-A	
1,500mm	QCMLC-1500-W	QCMLC-1500-PY	QCMLC-1500-R	QCMLC-1500-A	
Features		<ul style="list-style-type: none"> <li>• Bright and transparent color temperature that is most commonly used</li> <li>• Color temperature : 6,000-7,000K</li> </ul>	<ul style="list-style-type: none"> <li>• Less eye fatigue with color temperature similar to incandescent lamp</li> <li>• Color temperature : 2,500-3,500K</li> </ul>	<ul style="list-style-type: none"> <li>• Red color light for special use</li> <li>• Wavelength : 618nm-632nm</li> </ul>	<ul style="list-style-type: none"> <li>• Amber color light for special use</li> <li>• Wavelength : 585nm-595nm</li> </ul>
Applications		<ul style="list-style-type: none"> <li>• Machine tools</li> <li>• Factory facilities</li> <li>• Image test</li> <li>• Panel boards</li> </ul>	<ul style="list-style-type: none"> <li>• Food processing facilities</li> <li>• Cosmetics manufacturing facility</li> <li>• Pharmaceutical equipment and facilities</li> <li>• Chemical facilities</li> </ul>	<ul style="list-style-type: none"> <li>• Semiconductor manufacturing equipment (in clean room )</li> <li>• Print and light exposure manufacturing facilities</li> <li>• Growing plants with artificial lights</li> </ul>	<ul style="list-style-type: none"> <li>• Semiconductor manufacturing equipment</li> <li>• Testing equipment</li> </ul>

# QCML/ QCMLC

Waterproof LED Light Bars for  
Multi-use with Protection of IP67/ IP69K



## QCML Translucent Lens Type



## QCMLC Transparent Lens Type

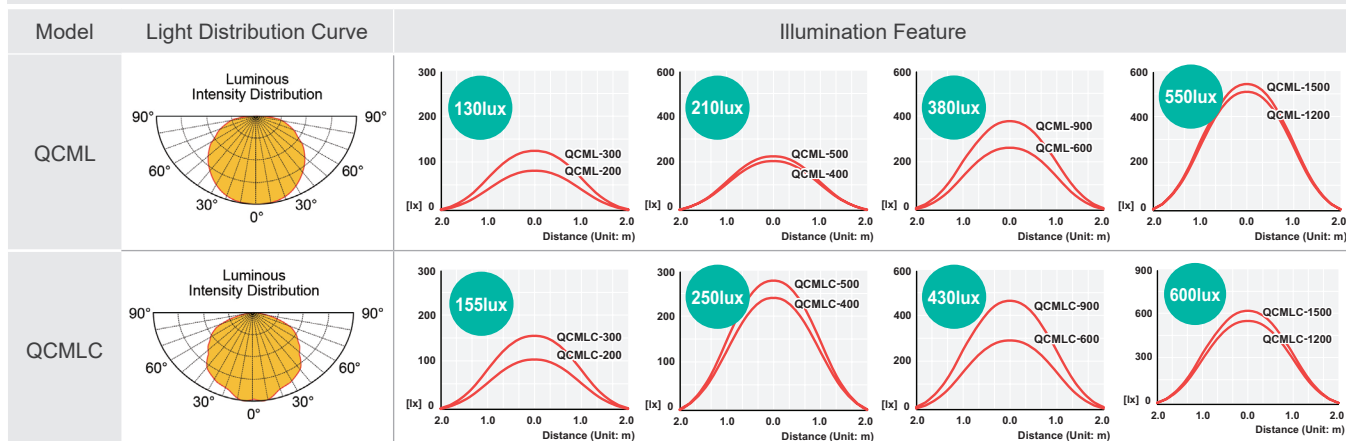


Optics Specifications								
Model	QCML-200/ QCMLC-200	QCML-300/ QCMLC-300	QCML-400/ QCMLC-400	QCML-500/ QCMLC-500	QCML-600/ QCMLC-600	QCML-900/ QCMLC-900	QCML-1200/ QCMLC-1200	QCML-1500/ QCMLC-1500
Lens color	Translucent/ Transparent	Translucent/ Transparent	Translucent/ Transparent	Translucent/ Transparent	Translucent/ Transparent	Translucent/ Transparent	Translucent/ Transparent	Translucent/ Transparent
Light color/ Color temperature	Cooldaylight	6,000-7,000K						
	Incandescent	2,500-3,500K						
	Red	618-632nm						
	Amber	585-595nm						
Luminous flux/ (Cooldaylight)	276lm/ 322lm	381lm/ 436lm	729lm/ 833lm	742lm/ 849lm	754lm/ 863lm	1,126lm/ 1,291lm	1,492lm/ 1,691lm	1,855lm/ 2,105lm
Efficacy (lm/W)/ (Cooldaylight)	85lux/ 100lux	130lux/ 155lux	200lux/ 245lux	210lux/ 250lux	250lux/ 295lux	380lux/ 430lux	500lux/ 560lux	550lux/ 600lux
Specifications								
Model	QCML-200/ QCMLC-200	QCML-300/ QCMLC-300	QCML-400/ QCMLC-400	QCML-500/ QCMLC-500	QCML-600/ QCMLC-600	QCML-900/ QCMLC-900	QCML-1200/ QCMLC-1200	QCML-1500/ QCMLC-1500
Voltage	DC24V							
Range for operation voltage	DC21.5V-26.5V							
Power consumption	5.5W	6W	11W	11.5W	12W	18W	23W	30W
Insulation resistance	Min. 100MΩ(500V DC mega ohm meter)							
Withstanding voltage	DC : 500V AC, 60Hz, 1 minute							
Operating temperature	-30°C to +50°C							
Protection rating	IP67/ IP69K							
Materials	Lens : PC, Side cover : PC, Heat sink : Al, Bracket : PC							
Certificate	DC24V only            DC24V only							
Weight(Approx.)	0.16kg	0.20kg	0.26kg	0.33kg	0.40kg	0.56kg	0.76kg	0.94kg

# QCML/ QCMLC

Waterproof LED Light Bars for Multi-use with Protection of IP67/ IP69K

## Light Distribution and Illuminance

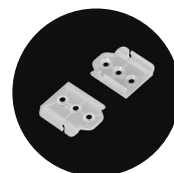
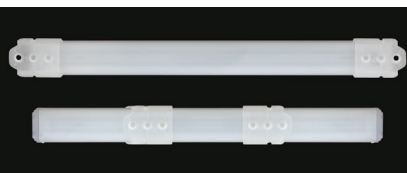


## Mounting Structure



Example for mounting outside

Example for mounting inside



※ Adopts removable mounting bracket and sliding structure, adjustable mounting distance.

※ mounting bracket is arranged on edge or middle of body, in case of edge of body, mounting bracket space is kept.



※ Cable end M12 connector attached type

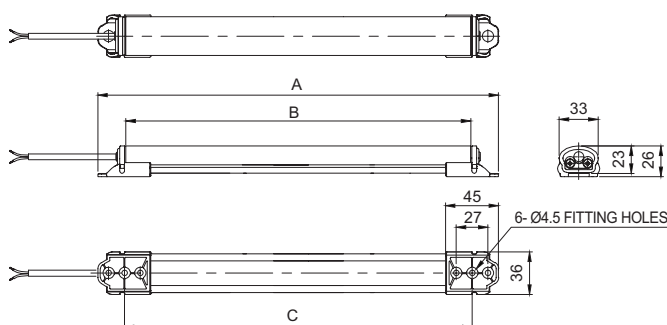
Customized Cable end M12 connector attached type available.



## Technical Diagram

(Units : mm)

QCML/ QCMLC-200/ 300/ 400/ 500/ 600/ 900/ 1200/ 1500



MODEL	A	B	C	D
QCML/ QCMLC-200	262	228	45~217	2
QCML/ QCMLC-300	362	328	45~317	2
QCML/ QCMLC-400	462	428	45~417	2
QCML/ QCMLC-500	562	528	45~517	2
QCML/ QCMLC-600	662	628	45~617	2
QCML/ QCMLC-900	962	928	45~917	3
QCML/ QCMLC-1200	1262	1228	45~1217	4
QCML/ QCMLC-1500	1562	1528	45~1517	4

※ D : Recommended quantity of mounting brackets

※ External power line - UL2464-AWG22(0.3sq×2C) 450mm



## Ordering Specification

<b>QCML</b>	-	<b>300</b>	-	<b>PY</b>	-	<b>24</b>
[Model number]		[Product length]		[Light color]		[Voltage]
<ul style="list-style-type: none"> <li>QCML : Translucent lens</li> <li>QCMLC : Transparent lens</li> </ul>		<ul style="list-style-type: none"> <li>200 - 228mm</li> <li>300 - 328mm</li> <li>400 - 428mm</li> <li>500 - 528mm</li> </ul>	<ul style="list-style-type: none"> <li>600 - 628mm</li> <li>900 - 928mm</li> <li>1,200 - 1,228mm</li> <li>1,500 - 1,528mm</li> </ul>	<ul style="list-style-type: none"> <li>W-Cooldaylight</li> <li>PY-Incandilight</li> <li>R-Red</li> <li>A-Amber</li> </ul>		<ul style="list-style-type: none"> <li>24-DC24V</li> </ul>