



Manufactured according to OIML R60 standards

Capacity from 2000 kg to 40000 kg

- AISI 4140 NICKEL PLATED STEEL
- LOAD LIMITING ACCURACY  $\pm 2\%$  ON FULL SCALE
- IP67 PROTECTION RATING
- SUITABLE AS LOAD LIMITER FOR LIFTING EQUIPMENT
- RAPID MOUNTING (also on pre-existing lifting systems)



WIRE ROPE TENSION	kg	DIAMETER ROPE (mm)	NET WEIGHT (kg)
up to	2000	Ø 6 ÷ Ø 14	2.4
up to	4000	Ø 10 ÷ Ø 18	2.4
up to	10000	Ø 16 ÷ Ø 26	2.4
up to	20000	Ø 24 ÷ Ø 36	7.5
up to	40000	Ø 24 ÷ Ø 36	7.5

### CERTIFICATIONS

**EAC** Complies with the Eurasian Customs Union standards

**UKCA** Equivalent of the CE marking for the United Kingdom

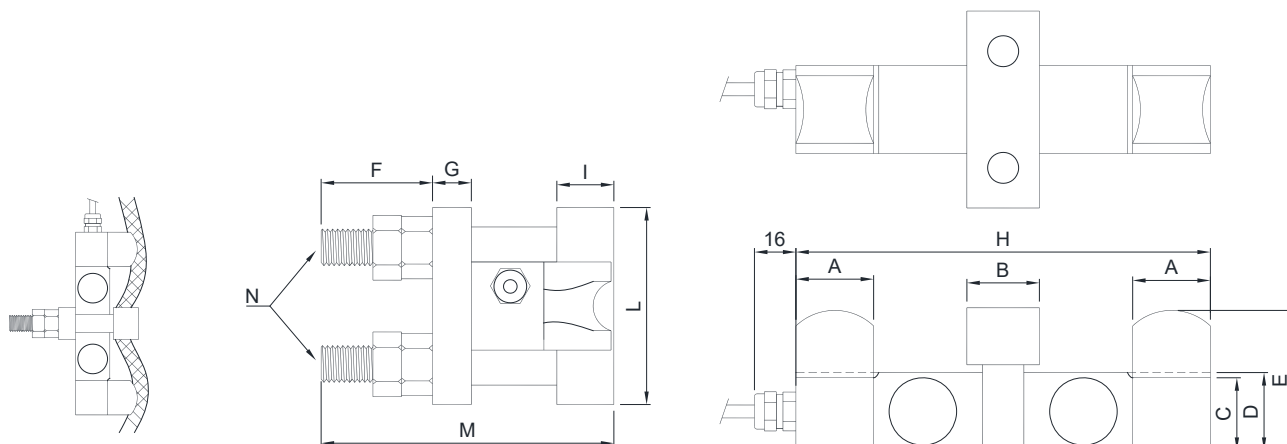
#### CERTIFICATIONS ON REQUEST

**Ex** ATEX II 1GD (zone 0-1-2-20-21-22) (CE - UKCA)

**IECEx** (zone 0-1-2-20-21-22)

**EAC Ex** Complies with the Eurasian Customs Union standards for use in potentially explosive atmospheres

### DIMENSIONS (mm)



Rope tension (max)	Rope diameter	A	B	C	D	E	F	G	H	I	L	M	N
2000 kg	Ø 6 - 14	30	28	28	30	51	41	15	160	22	76	108	M14x2
4000 kg	Ø 10 - 18	30	28	28	30	54	43	15	160	22	76	113	M14x2
10000 kg	Ø 16 - 26	30	28	28	30	56	43	15	160	22	76	119	M14x2
20000 kg	Ø 24 - 36	45	39	40	45	82	67	24	260	34	108	173	M18x2,5
40000 kg	Ø 24 - 36	45	39	40	45	82	67	24	260	34	108	173	M18x2,5

### SCREW TIGHTENING TORQUES

Diameter of the steel cable (mm)	5	6 - 6.5	7 - 8	9 - 10	11 - 13	14	15 - 16	17 - 19	20 - 22	23 - 26	28 - 30	32 - 34	36 - 40
Tightening torque (Nm)	2.0	5.2	6.0	9.0	20	25	30	42	51	67	75	88	106

### TECHNICAL FEATURES

Material	AISI 4140 nickel plated steel		
Nominal load (E max)	2000 - 4000 - 10000 - 20000 - 40000 kg		
Load limiting accuracy on full scale	±2%		
Protection rating	IP67		
Rated output	3 mV/V ±0.1%	Input resistance	450/750/1050 Ω ±50
Temperature effect on zero	0.005% °C	Output resistance	350/700/1000 Ω ±20
Temperature effect on span	0.005% °C	Zero balance	±2%
Compensated temperature range	-10 °C / +50 °C	Insulation resistance	>5000 MΩ
Operating temperature range	-30 °C / +70 °C	Safe overload (% of full scale)	150%
Creep at nominal load in 30 minutes	0.03%	Ultimate overload (% of full scale)	200%
Max supply voltage without damage	15 V	Deflection at nominal load	0.5 mm

### ELECTRICAL CONNECTIONS

Cable length	6 m
Cable diameter	5 mm
Cores	4/6 x 0.14 mm <sup>2</sup>

