



Capacity up to 30 tons

DESCRIPTION

- Die-cast aluminum crane scale complete with upper shackle and lower hook; suitable for bridge crane.
- 5-digit semi-alphanumeric red LED display (58 mm height).
- 2 signalling LED.
- IP64 protection rating.
- Brightness control.
- 6 V rechargeable internal battery, 10 Ah capacity.
- Operating time: 80 hours.
- External battery charger 230 VAC included.
- Remote control with range up to 15 m line of sight.

MAIN FUNCTIONS

- HOLD function (lock of the displayed weight).
- Number of weighed values and totalized weight value.
- Semi-automatic tare (net/gross weight) and preset tare.
- Weight zero setting.
- Tare weight zero setting.
- Units of measure setting: kg - lb.
- Energy saving mode.
- Auto power-off.



CAPACITY	kg	DIVISION	(kg)	NET WEIGHT	(kg)	CODE
30000		e=5		175		DTE30

CERTIFICATIONS

UKCA Equivalent of the CE marking for the United Kingdom

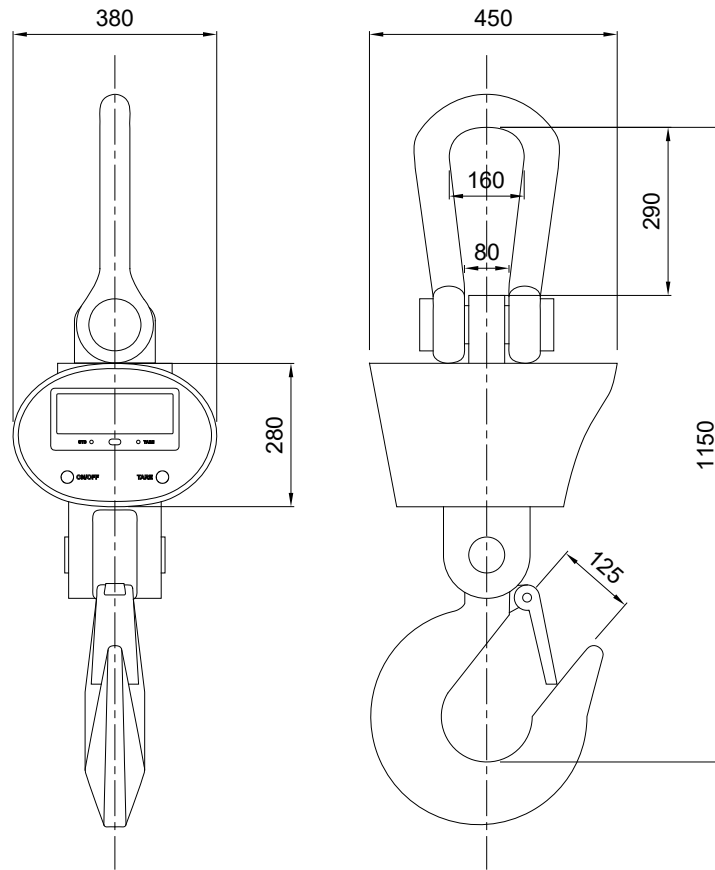
CERTIFICATIONS ON REQUEST

CODE

✓ Linearity test

TARATURA

DIMENSIONS (mm)



TECHNICAL FEATURES

Accuracy class (% of full scale)	± 0.05%
Safe overload (% of full scale)	150%
Ultimate overload (% of full scale)	500%
Humidity (condensate free)	10÷90%
Working temperature	-10°C +40°C