



Manufactured according to OIML R60 standards

Capacity from 5 kg to 50 kg



- AISI 420 STAINLESS STEEL
- COMBINED ERROR $\leq \pm 0.05\%$
- IP65 PROTECTION RATING

CAPACITY	kg	PLATFORM (mm)	NET WEIGHT (kg)
	5	150 x 150	0.13
	15	150 x 150	0.13
	50	150 x 150	0.13

CERTIFICATIONS

EAC Complies with the Eurasian Customs Union standards

UK CA Equivalent of the CE marking for the United Kingdom

CERTIFICATIONS ON REQUEST

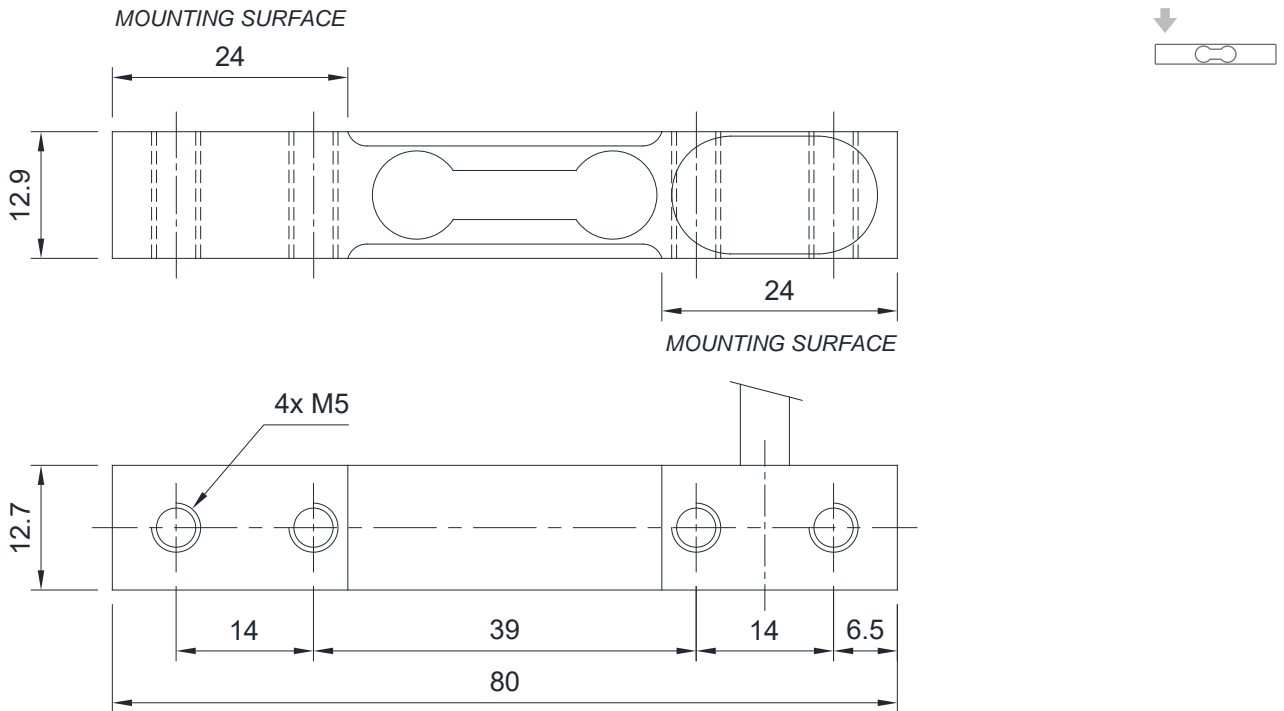
✓ Linearity test

Ex ATEX II 1GD (zone 0-1-2-20-21-22) (**CE - UK CA**)

IECEX (zone 0-1-2-20-21-22)

EAC Ex Complies with the Eurasian Customs Union standards for use in potentially explosive atmospheres

DIMENSIONS (mm)



For the load cell fixing screws, provide the tightening torque indicated in the table

Screw	M5	
	Screw class	6.8
Tightening torque	4.5 Nm	6 Nm

TECHNICAL FEATURES

Material	AISI 420 stainless steel		
Nominal load (E max)	5 - 15 - 50 kg		
Combined error	≤ ±0.05%		
Protection rating	IP65		
Rated output	3 mV/V ±10%	Input resistance	410 Ω ±40
Temperature effect on zero	0.005% °C	Output resistance	350 Ω ±5
Temperature effect on span	0.005% °C	Zero balance	±2%
Compensated temperature range	-10 °C / +40 °C	Insulation resistance	>2000 MΩ
Operating temperature range	-20 °C / +60 °C	Safe overload (% of full scale)	150%
Creep at nominal load in 30 minutes	0.05%	Ultimate overload (% of full scale)	200%
Max supply voltage without damage	10 V	Deflection at nominal load	0.5 mm

ELECTRICAL CONNECTIONS

Cable length	3 m
Cable diameter	4 mm
Cores	4 x 0.20 mm ²

