

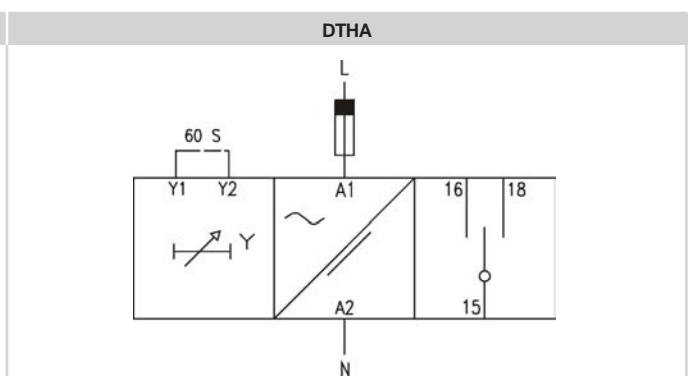
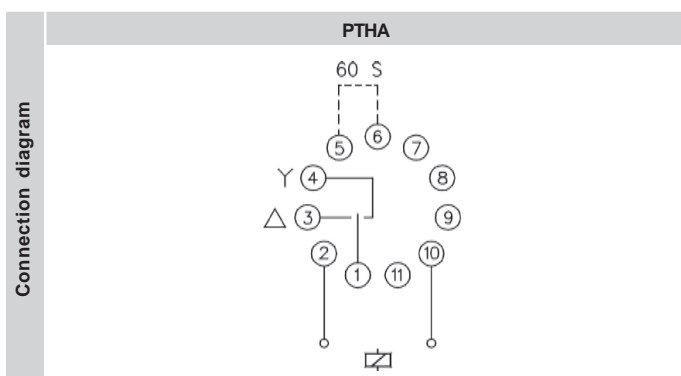
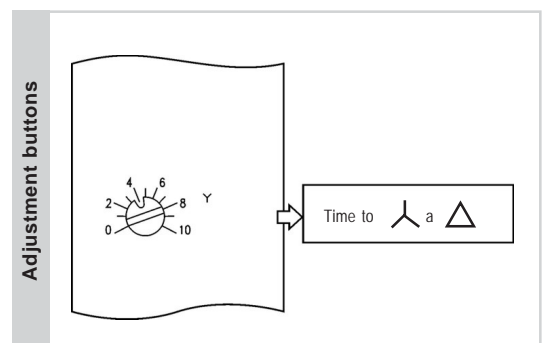
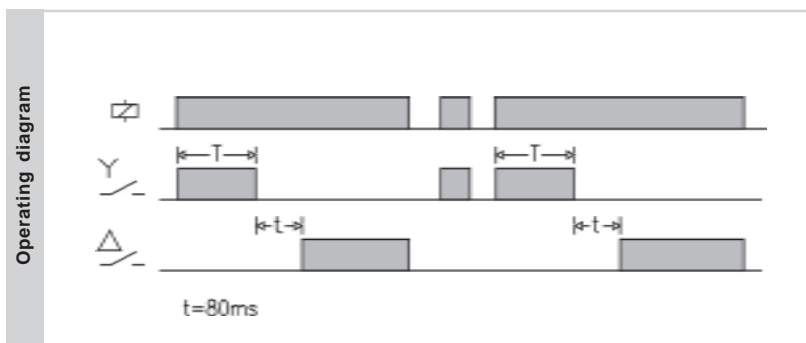
PTHA DTHA



Function	Star-delta.
Difference	Monofunction - Monorange - Monovoltage
Operating principle	When the supply voltage is conected, the relay remains released and the time circuit starts up. After the pre-set time, the relay is operated. It can remain in this condition for an indefinite period of time.
Time ranges	The time is adjustable from 0,5..30 s. By linking terminals Y1-Y2(DTHA) or 5-6 (PTHA) , the time range becomes from 0,1..60 s.
Leds indication	Power on: Green Relay on: Red
Repeating precision	±5%
Precision	±10%
Reset	By disconnecting the supply for longer than 700 ms.

Reference	HOUSING		FUNCTION		OUTPUT		SUPPLY		RANGE	
	P D	Plug-in DIN rail	TH	Delay on operate	A	SPDT	U24 724 024 110 230 400 440 901 902	24 VAC/DC 24 VDC 24 VAC 110..125 VAC 220..240 VAC 380..415 VAC 440 VAC 15..70 VAC/DC 60..240 VAC/DC	1 M	0,1..60 S

To compose the reference, select one option of each column. Example: PTHA 440 1M



		PTHA	DTHA	
Output relays				
	Resistive load	AC	10A / 250 V	10A / 250 V
		DC	0,4 A / 200 V 10 A / 24 V	0,4 A / 200 V 10 A / 24 V
	Inductive load	AC	10 A / 250 V	10 A / 250 V
		DC	0,4 A / 200 V 10 A / 24 V	0,4 A / 200 V 10 A / 24 V
	Mechanical life		> 30 x 10 ⁶ operations	> 30 x 10 ⁶ operations
	Max. switching rate, mech.		72.000 operations / hour	72.000 operations / hour
	Electrical life at full load		360 operations / hour	360 operations / hour
	Contact material		AgNi 90/10	AgNi 90/10
	Maximum voltage		440 VAC	440 VAC
	Operating voltage		250 VAC	250 VAC
	Volt. between changeovers		2500 VAC	2500 VAC
Voltage between contacts		1000 VAC	1000 VAC	
Voltage coil/contact		5000 VAC	5000 VAC	
Distance coil/contact		10 mm	10 mm	
Isolation resistance		> 10 ⁴ MΩ	> 10 ⁴ MΩ	

	AC		ACDC		CCCA	
	PTHA	DTHA	PTHA	DTHA	PTHA	DTHA
Galvanic isolation	No		No		9XX: Sí	UXX: No
Consumption	1,6 VA		1,2 W		1,6 W	1,7 W
Frequency	50/60 Hz		-		-	
Operating margins	± 15%		± 10%		-	
Positive	-		Terminal 2	Terminal A1	Terminal 2	Terminal A1
Protected polarity	-		Sí		Sí	

Constructive and environmental data	PTHA	DTHA	
	Voltage phase-neutral	300 V	300 V
	Overvoltage category	III	III
	Rated impulse voltage	4 kV	4 kV
	Pollution degree	2	2
	Protection	IP 20	IP 20
	Approximate weight	270 g	270 g
	Storage temperature	-50..+85°C	-50..+85°C
	Operating temperature	-20..+50°C	-20..+50°C
	Humidity	30..85% HR	30..85% HR
	Housing	Cycloley - Light grey	Cycloley - Light grey
	Socket	-	-
	Leds cover	Lexan - Transparent	Lexan - Transparent
	Button, terminal block, clip	Technyl - Dark blue	Technyl - Dark blue
	Pins of the socket	-	-
Pins of the terminal block	Brass	Brass	
Approvals	Designed and manufactured under EEC standards. Electromagnetic compatibility , directives 89/366/EEC and 92/31/EEC. Electric safety, directive 73/23/EEC. Plastics: UL 91 V0		

Dimensions	PTHA	DTHA

Rev. 01/00 - 16/11/11 - DISIBEINT reserves the right to modify the specifications stated in this document without previous notice