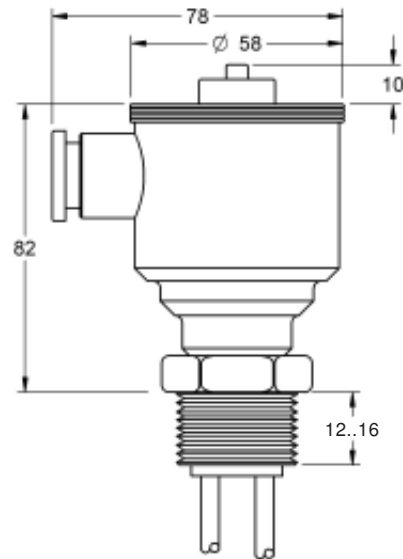


NTBI / NTBII



CONDUCTIVE ELECTRODES



Description	Set of electrodes for the control of the level in conductive liquids. Usable in all kind of tanks with pressure and temperature. Alimentary or pharmaceutic.
Body material	SS AISI316 (1.4401).
Electrode	SS AISI316 (1.4401). Ø5 mm. Optional Titanium. The number of electrodes depends on the function of the required level control. Consult the specific characteristics of each level relay.
Electrode length	Standard, 1000 mm. All the electrodes are delivered at the same length. For setting the level detection points, cut each electrode to the required height. Keep in mind that the common electrode must have a length equal or longer than whichever other one.
Process connection	Top screw 1" 1/2 G. SS AISI316 (1.4401). See section "Reference composition" for others options to process connection.
Electrical connection	Connection housing. PBT. Ø58 x 80 mm.
Maximum temperature	+100 °C
Pressure	Atmospherical
Electrode insulation	Optionally, the electrodes can be protected with PTFE insulation to guarentee the set detection points.
Protection	IP67
Usable with	Level relays for conductive liquids: relays families PN, DN and SN (see next page).
Warning	DISIBEINT ELECTRONIC SL is not responsible of the electric behavior of these electrodes when using control relays belonging another manufacturers.





Reference composition

		Nr Electrodes	
NTBI	1/4" G	1E	
	1/2" G		
	3/4" G	2E	
	1" G		
NTBII (insulated)	1/4" G	1E	
	1/2" G	2E	
	3/4" G		
	1" G		

To compose the reference, select one option of each column.
Example: NTBI 1"1/2 2E

Microlectra bv.
Augustapolder 12.
2992 SR Barendrecht
The Netherlands
www.microlectra.com
info@microlectra.nl

	PS-3
	
Accessories	Overvoltage protector for the probes line PS3 - Noryl (housing box) - Light grey
	SEPARATOR
	
	Electrode separator NR.SEP/P - PVC - Red