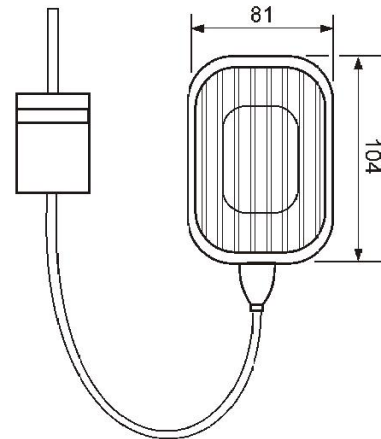


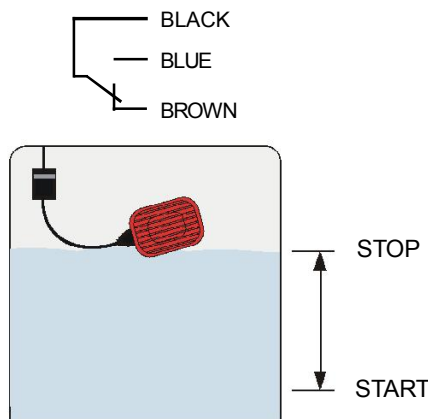
INME

**FLOAT
LEVEL
SWITCH**



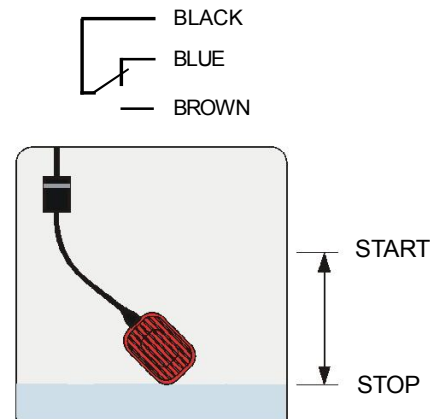
Funtion	Control of maximum and/or minimum level when filling or emptying water.
Application	Economic, low cost. Clean and residuals waters without crusts growing.
Attachment	By cable.
Adjustment	Maximum - minimum adjust by counterweight maximum 1 m.
Float material	Non-toxic polystirene.
Cable	PVC cable, 3 x 1 mm ² (high flexibility).
Cable lenght	2-5-10 m
Contact type	SPDT micro-switch.
Maximum voltage	250 VAC
Maximum current	10A / 250 VAC (resistive load) - 8A / 250 VAC (inductive load)
Pressure	5 bar
Operating temperature	+60 °C
Dimensions	135 x 81 x 52 mm
Weight without cable	138 gr / Counterweight: 224 gr
Protection	IP68

Installation examples



FILLING

Stop in filling, start in emptying



EMPTYING

Start in filling, stop in emptying

Microlectra bv.
Augustapolder 12.
2992 SR Barendrecht
The Netherlands
www.microlectra.com
info@microlectra.nl